



PARTS MANUAL
FOR
MVG 2000LD

MARMON-HERRINGTON ALL-WHEEL DRIVE

13001 Magisterial Drive • Louisville, KY 40223
(502) 253-0277 • (800) 227-0727 • Fax (502) 253-0317
E-mail: info@marmon-herrington.com

TABLE OF CONTENTS

REPLACEMENT PARTS & WARRANTY CLAIM PROCEDURE	3
HOUSING MVG 2000LD	4-5
HOUSING FRONT MVG 2000LD	6-7
HOUSING REAR MVG 2000LD	8-9
OIL LINE MVG 2000LD	10-11
DRIVE SHAFT MVG 2000LD	12-13
DOUBLE GEAR MVG 2000LD	14-15
OUTPUT SHAFT MVG 2000LD	16-17
FLANGE MVG 2000LD	18-19
HIGH, LOW GEAR SHIFTING MVG 2000LD	20-21
AXLE ENGAGE MVG 2000LD	22-23



MARMON-HERRINGTON ALL-WHEEL DRIVE
13001 Magisterial Drive • Louisville, KY 40223
(502) 253-0277 • (800) 227-0727 • Fax (502) 253-0317
E-mail: info@marmon-herrington.com

REPLACEMENT PARTS

When ordering replacement parts for **MARMON-HERRINGTON LOW FLOOR** conversions, the following information should be given:

1. **FACTORY ORDER NUMBER** (found on I.D. Plate or small plate affixed to axle housing). This will be a six (6) digit number. (See illustrations this page.)
2. Component for which parts are required, i.e. front drive axle or transfer case/drop box.
3. Model of axle and/or transfer case/drop box, i.e. MT10, MVG 750, MDB500.
4. Give quantity and part number required.
NOTE: Drivelines, shift linkage, etc., can be found on the computer printout of Bill of Material, which is included in the Service Manual.
5. Give complete billing and shipping address.

WARRANTY CLAIM PROCEDURE

Before proceeding with repairs or ordering parts that you feel may be covered under warranty, you must first contact Marmon-Herrington Customer Service Department and obtain a Repair Authorization Number.


Please be prepared to supply all of the following information:

- **Factory Order Number** – This is located on an ID plate fixed to either the driver's door panel or the component (axle or transfer case) itself.
- **Model and Serial Number** (required) – Again located on the ID plate fixed to either the driver's door panel or the component itself.
- **Vehicle Year, Make and Model**
- **Vehicle Identification Number**
- **Mileage**
- **In Service Date**

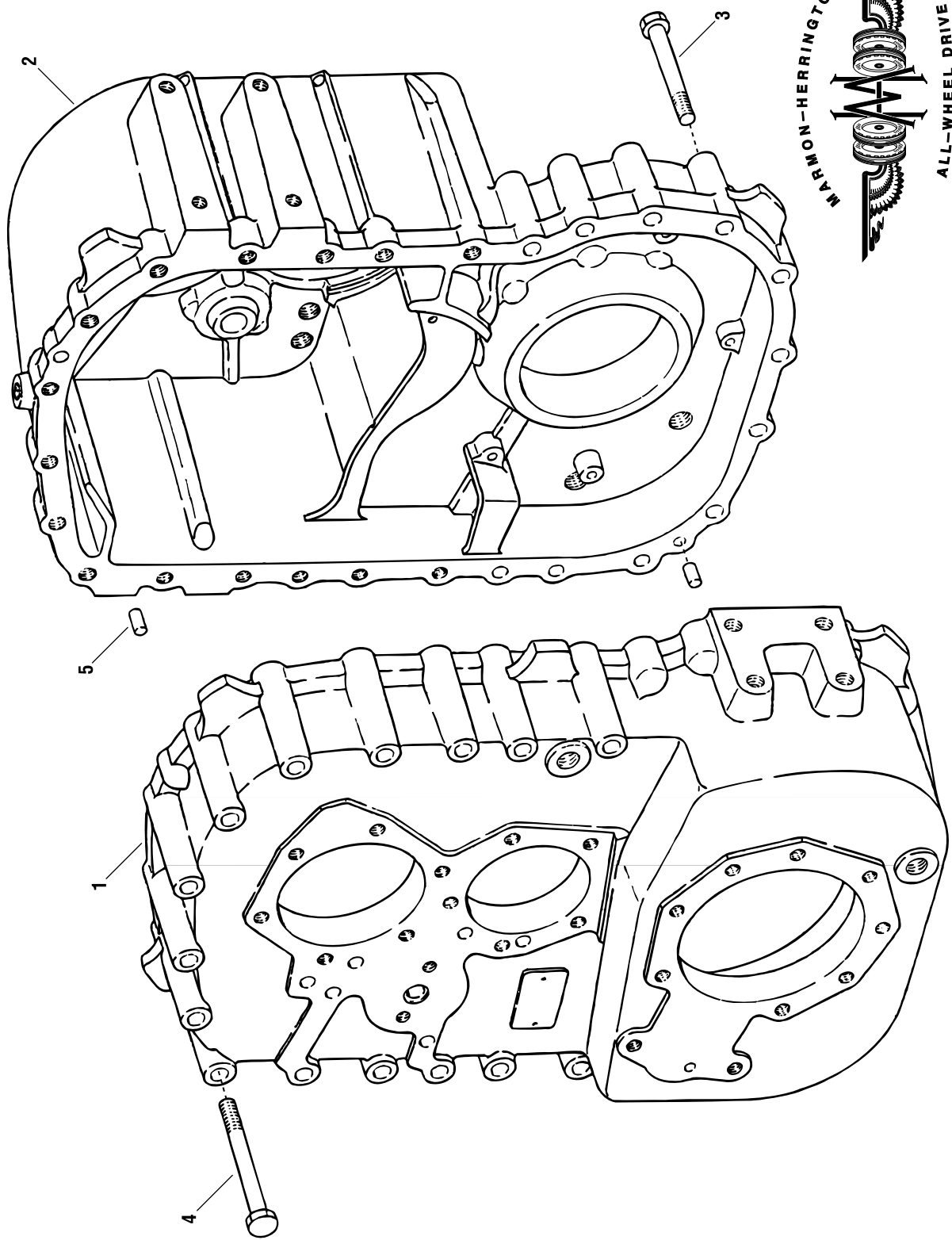
The information necessary for replacement parts and/or warranty claim procedures will be found on either plate design.

MARMON-HERRINGTON			
SALES ORDER	0000-00	RATIO	
S/N		TYPE	
CUST P/N			

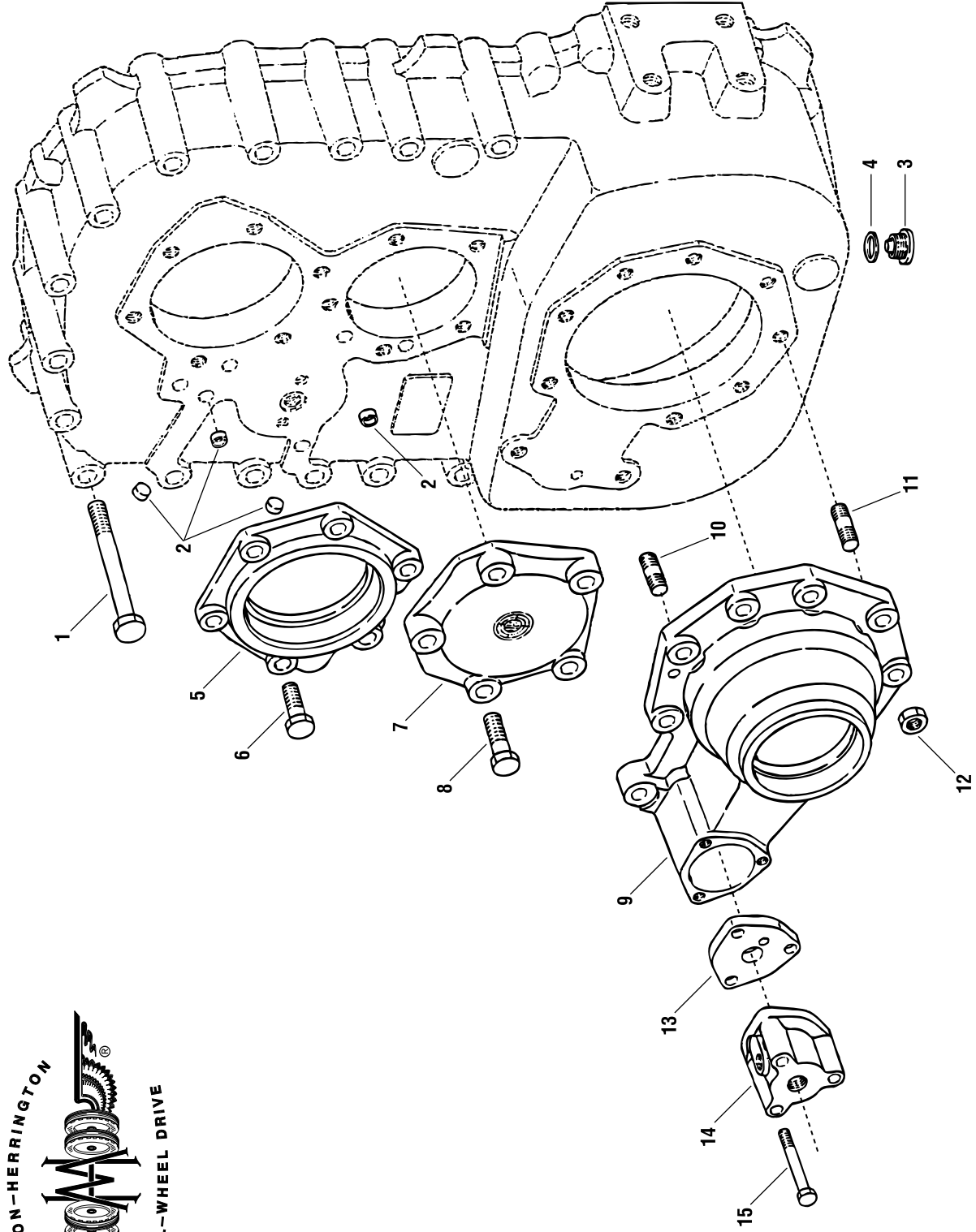
MARMON-HERRINGTON			
SALES ORDER	0000-00		
S/N		TYPE	
CUST P/N			
COVERED BY ONE OR MORE OF THE FOLLOWING PATENTS: U.S. PATENTS 4,878,691; 4,934,733; 5,016,912; 5,275,430; 5,839,750; AND 6,398,251; AND CA PATENT 1,316,185. OTHER U.S. AND FOREIGN PATENTS PENDING.			

 <p>MARMON-HERRINGTON ALL-WHEEL DRIVE LOUISVILLE, KENTUCKY U.S.A.</p>	
FACTORY ORDER NO.	0000-00
INSTALLED BY	
FRONT DRIVING AXLE	
MODEL	
CAPACITY	
SERIAL NO.	
RATIO	
TRANSFER CASE	
MODEL	
SERIAL NO.	

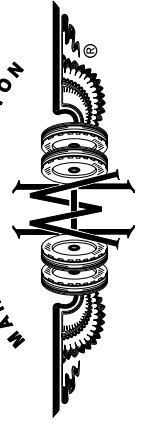
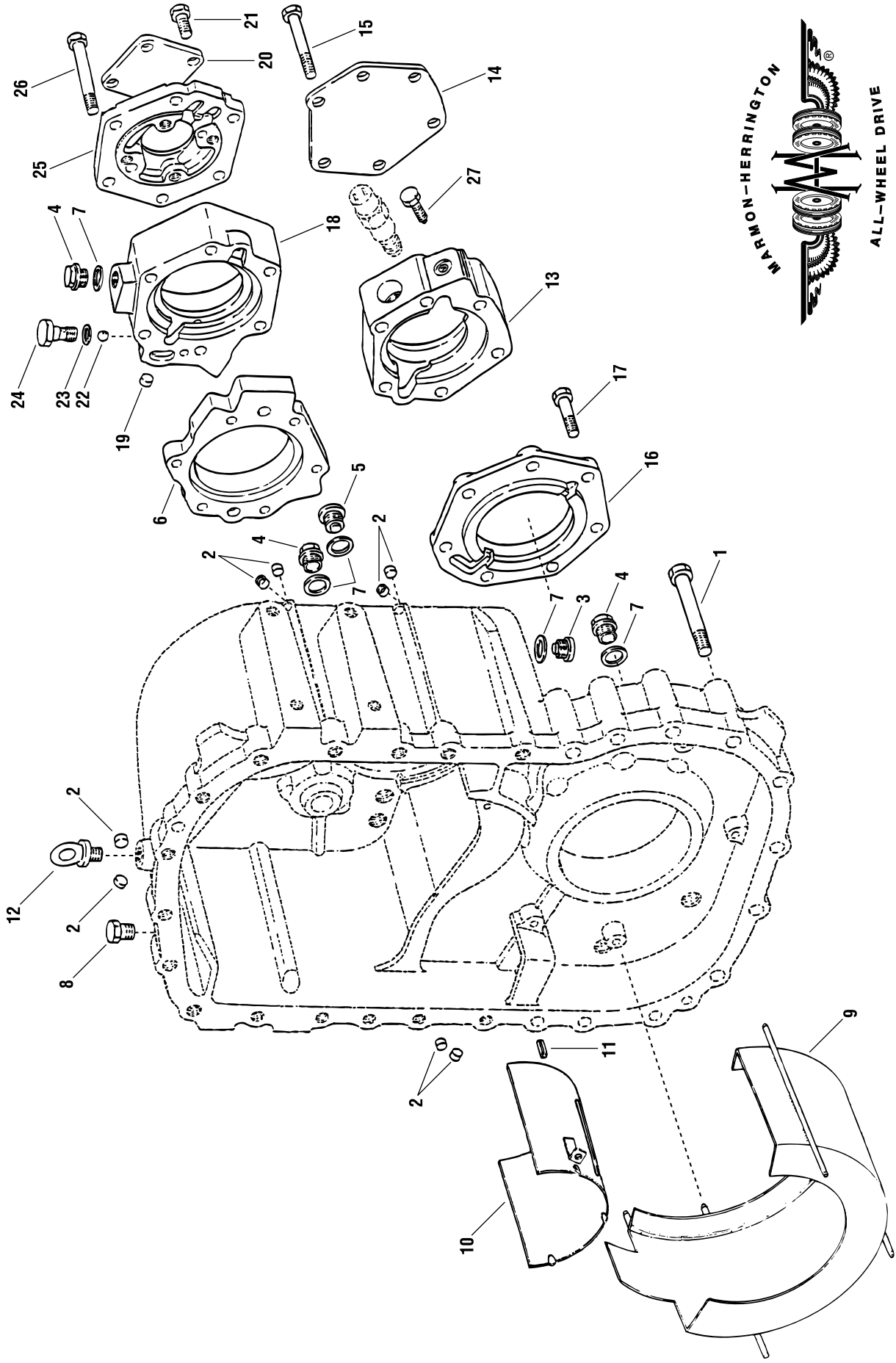
HOUSING MVG 2000LD



HOUSING FRONT MVG 2000LD



HOUSING REAR MVG 2000LD



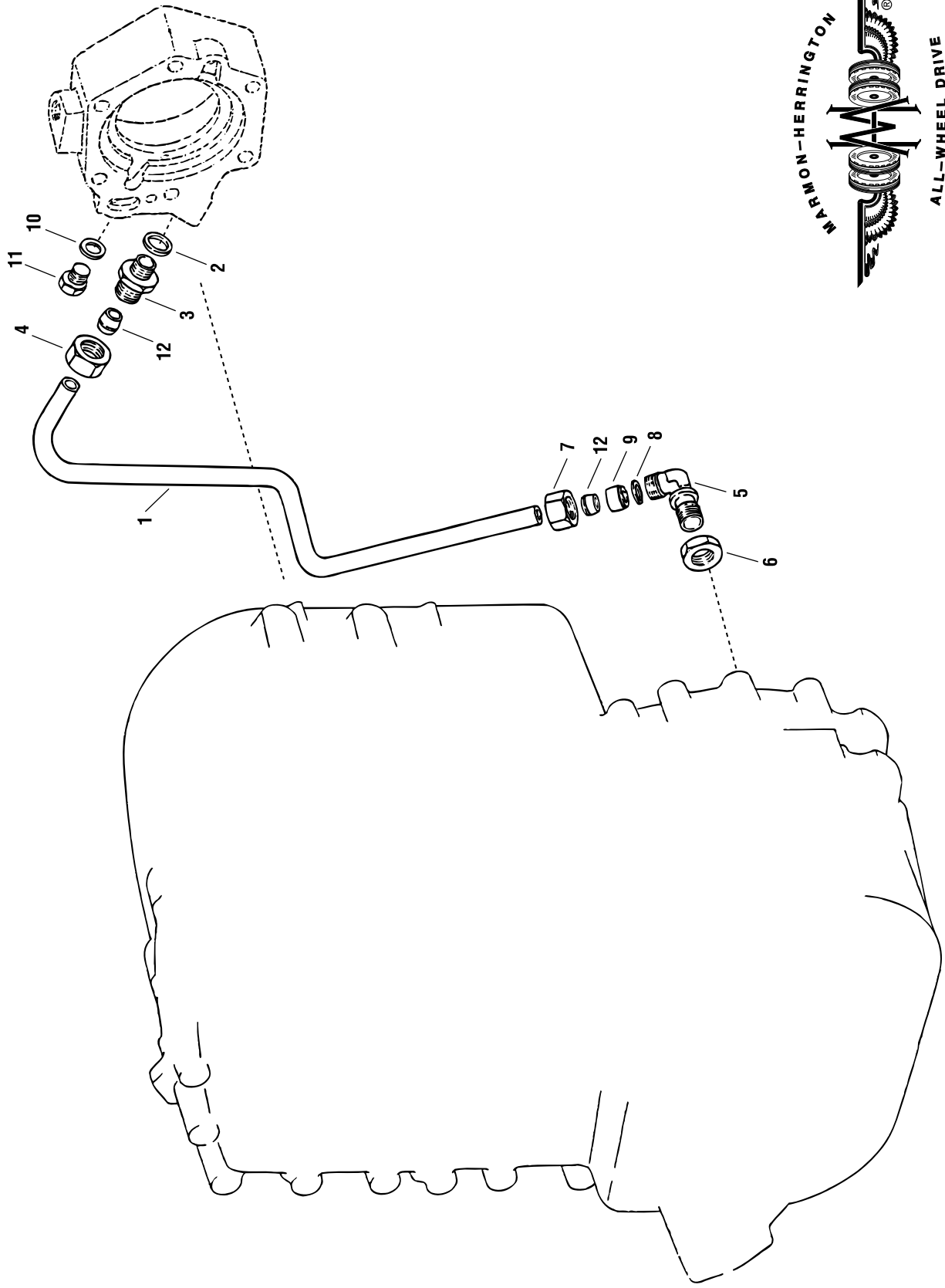
ITEM NO.	MH PART NO.	DESCRIPTION	QTY. REQ.	ITEM NO.	MH PART NO.	DESCRIPTION	QTY. REQ.
1	MVG20-1017	Hex Head Bolt, M16x100	7				
2	MVG20-1012	Core Hole Plug	8				
3	MVG20-1013	Screw Plug, M22x1.5	1				
4	MVG75-1028	Hex Head Screw Plug, M22x1.5	3				
5	MVG75-1012	Screw Plug, M22x1.5	1				
6	MVG16-1015	Intermediate Plate	1				
7	MVG12-1010	Sealing Ring	6				
8	MVG20-1018	Breather	1				
9	MVG20-1125	Splash Guard Lower	1				
10	MVG20-1126	Splash Guard Upper	1				
11	MVG20-1021	Spring Pin	1				
12	MVG16-1006	Lifting Eye Bolt	1				
13	MVG16-1031	Speedometer Housing	1				
14	MVG20-1026	Cover	1				
15	MVG20-1027	Hex Head Bolt, M12x75	6				
16	MVG20-1031	Bearing Cover	1				
17	MVG20-1032	Hex Head Screw, M12x45	7				
18	MVG16-1103	Bearing Housing	1				
19	MVG75-1009	Core Hole Plug	2				
20	MVG12-1015	Cover	1				
21	11500888	Hex Head Screw, M12x16	4				
22	MVG12-1137	Ball	1				
23	MVG75-1128	Sealing Ring	1				
24	MVG75-1030	Female Screw	1				
25	MVG16-1018	Cover	1				
26	MVG20-1127	Hex Head Screw, M12x110	6				
27	MVG12-1201	Cap Screw	1				

MARMON-HERRINGTON ALL-WHEEL DRIVE
 13001 Magisterial Drive • Louisville, KY 40223
 (502) 253-0277 • (800) 227-0727 • Fax (502) 253-0317
 E-mail: info@marmon-herrington.com

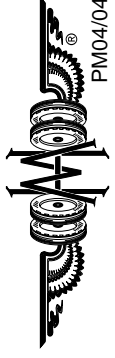
HOUSING REAR MVG 2000LD



OIL LINE MVG 2000LD



ITEM NO.	MH PART NO.	DESCRIPTION	QTY. REQ.	ITEM NO.	MH PART NO.	DESCRIPTION	QTY. REQ.
1	MVG20-1128	Suction Pipe	1				
2	MVG12-1040	Sealing Ring	1				
3	MVG20-1117	Union	1				
4	MVG75-1038	Union Nut	1				
5	MVG75-1039	Elbow	1				
6	MVG75-1040	Hex Nut, M22x1.5	1				
7	MVG75-1041	Union Nut	1				
8	MVG75-1042	Sealing Ring	1				
9	MVG75-1043	Pressure Ring	1				
10	MVG75-1024	Sealing Ring	1				
11	MVG16-1107	Hex Head Screw Plug, M14x1.5	1				
12	MVG75-1044	Cutting Ring	2				

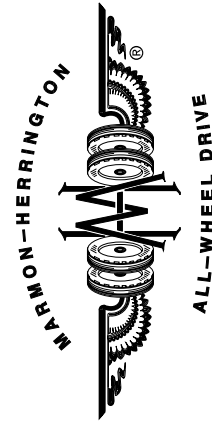
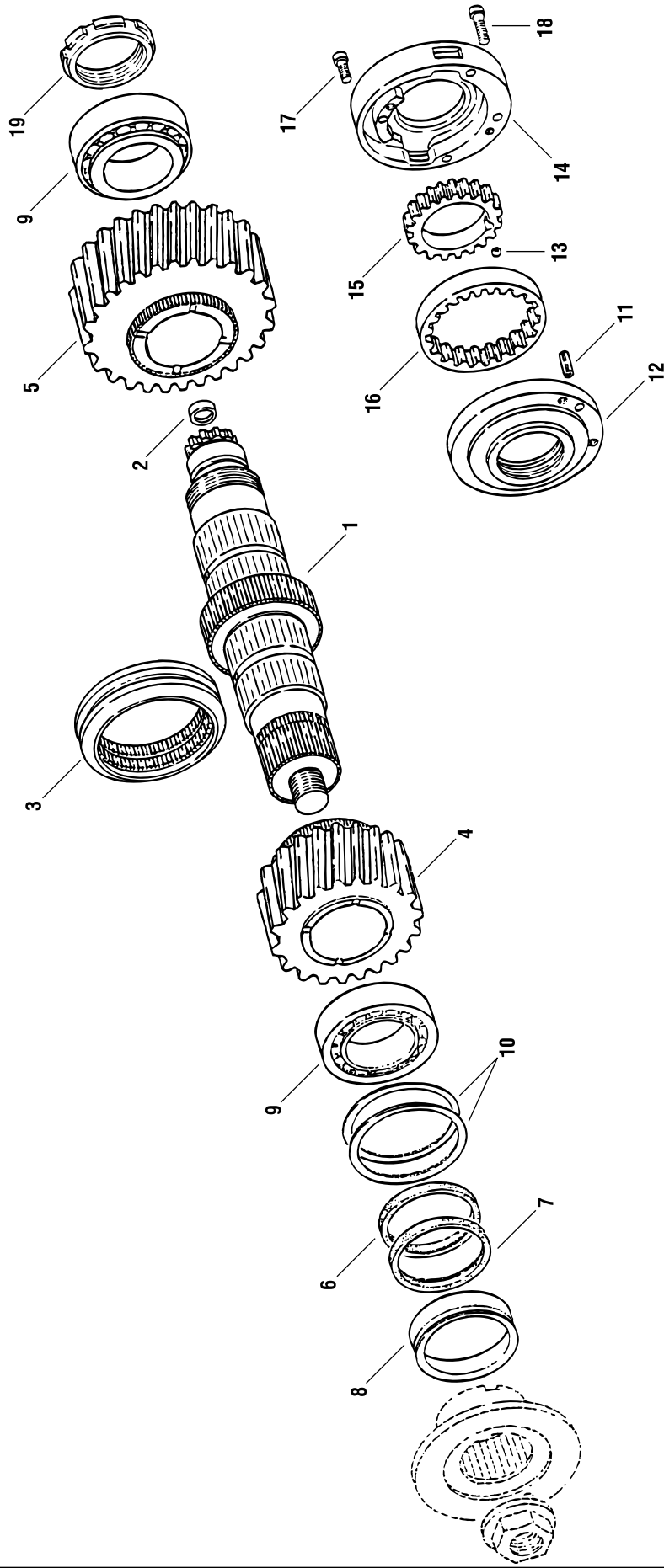


PM04/04

**OIL LINE
MVG 2000LD**

MARMON-HERRINGTON ALL-WHEEL DRIVE
 13001 Magisterial Drive • Louisville, KY 40223
 (502) 253-0277 • (800) 227-0727 • Fax (502) 253-0317
 E-mail: info@marmon-herrington.com

DRIVE SHAFT MVG 2000LD

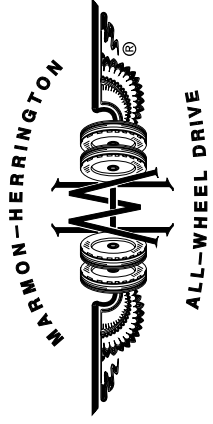
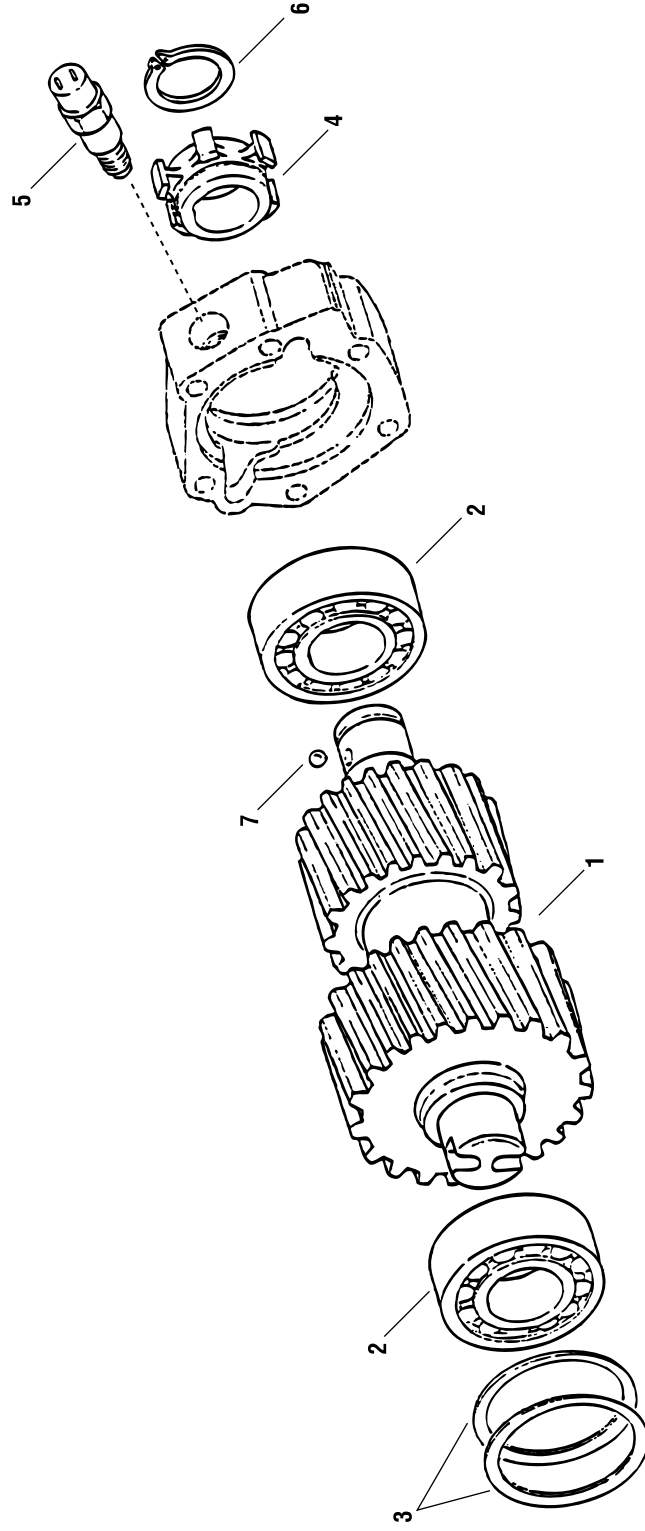


ITEM NO.	MH PART NO.	DESCRIPTION	QTY. REQ.	ITEM NO.	MH PART NO.	DESCRIPTION	QTY. REQ.
1	MVG20-1120	Drive Shaft	1				
2	MVG20-1064	Baffle Washer	1				
3	MVG20-1110	Shifting Sleeve	1				
4	MVG20-1035	Drive Gear	1				
5	MVG20-1036	Drive Gear	1				
6	MVG16-1012	Radial Sealing Ring	1				
7	MVG16-1013	Radial Sealing Ring	1				
8	MVG20-1040	Sealing Pot Complete	1				
9	MVG20-1039	Roller Bearing	2				
10	MVG16-1014A	Shim 1.25mm	AR				
	MVG16-1014B	Shim 1.30mm	AR				
	MVG16-1014C	Shim 1.40mm	AR				
	MVG16-1014D	Shim 1.50mm	AR				
	MVG16-1014E	Shim 1.60mm	AR				
	MVG16-1014F	Shim 1.70mm	AR				
	MVG16-1014G	Shim 1.80mm	AR				
	MVG16-1014H	Shim 1.85mm	AR				
11	MVG75-1033	Spring Pin	1				
12	MVG75-1034	Cover	1				
13	MVG12-1069	Ball	1				
14	MVG12-1139	Housing	1				
15	MVG12-1068	Oil Pump Gear	1				
16	MVG12-1067	Oil Pump Gear Crown	1				
17	11503857	Cylindrical Screw, M6x30	2				
18	11503858	Cylindrical Screw, M6x35	2				
19	MVG20-1119	Plain Nut	1				
		AR = As Required					

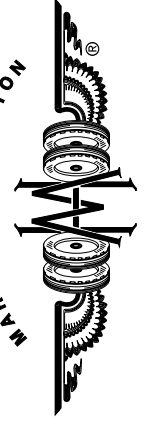
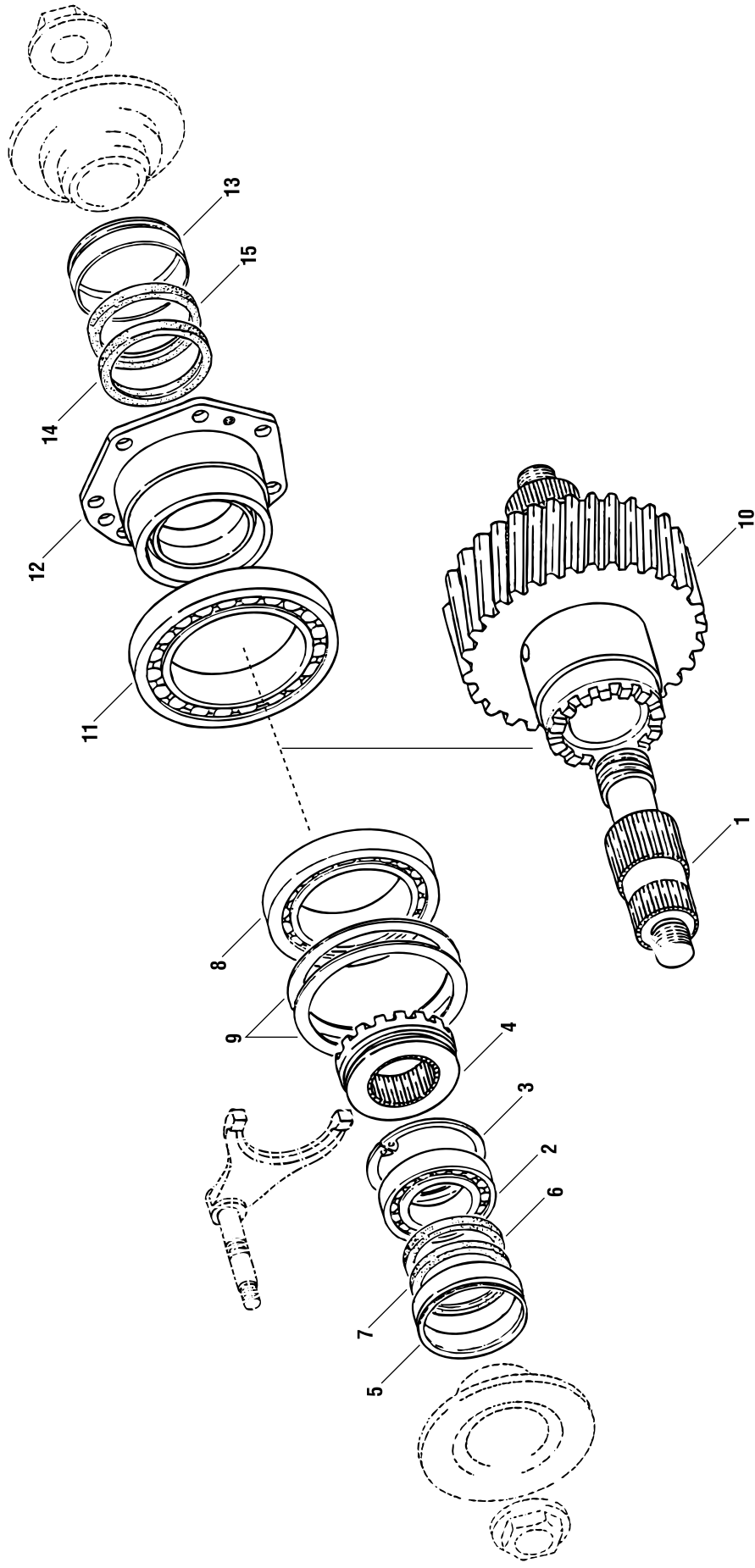
**DRIVE SHAFT
 MVG 2000LD**



DOUBLE GEAR MVG 2000LD



OUTPUT SHAFT MVG 2000LD

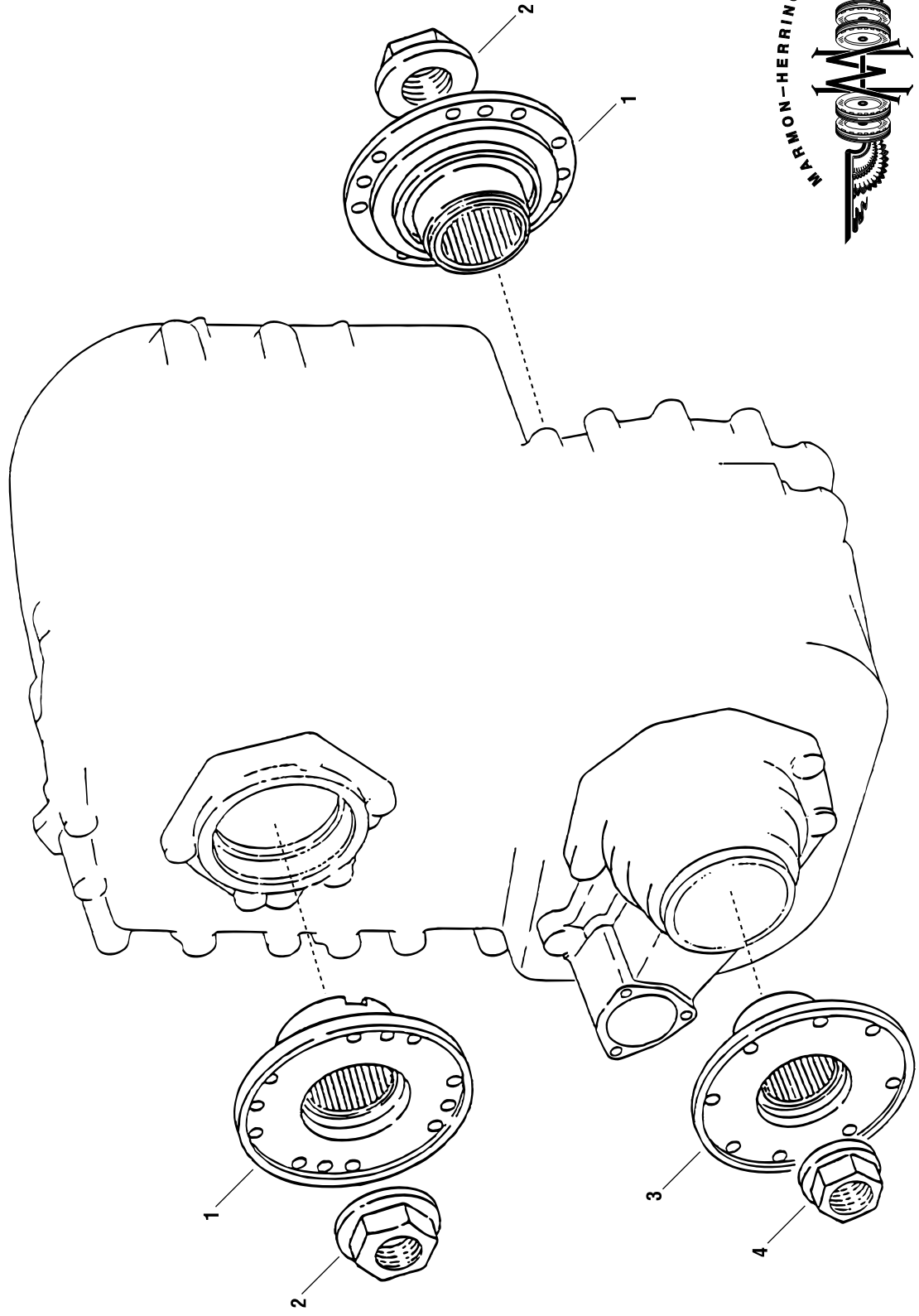


ITEM NO.	MH PART NO.	DESCRIPTION	QTY. REQ.	ITEM NO.	MH PART NO.	DESCRIPTION	QTY. REQ.
1	MVG20-1098	Output Shaft	1				
2	MVG20-1057	Deep Groove Ball Bearing	1				
3	MVG20-1055	Retaining Ring	1				
4	MVG16-1036	Shifting Sleeve	1				
5	MVG20-1105	Sealing Pot Retainer	1				
6	MVG16-1038	Seal Inner	1				
7	MVG12-1080	Seal Outer	1				
8	MVG20-1052	Tapered Roller Bearing	1				
9	MVG20-1053A	Shim 1.25mm	AR				
	MVG20-1053B	Shim 1.30mm	AR				
	MVG20-1053C	Shim 1.40mm	AR				
	MVG20-1053D	Shim 1.50mm	AR				
	MVG20-1053E	Shim 1.60mm	AR				
	MVG20-1053F	Shim 1.70mm	AR				
	MVG20-1053G	Shim 1.80mm	AR				
	MVG20-1053H	Shim 1.90mm	AR				
10	MVG20-1097	Output Shaft	1				
11	MVG20-1050	Roller Bearing	1				
12	MVG20-1051	Bearing Support	1				
13	MVG20-1040	Sealing Pot Retainer	1				
14	MVG20-1037	Radial Sealing Ring	1				
15	MVG20-1038	Radial Sealing Ring	1				
		AR = As Required					

**OUTPUT SHAFT
 MVG 2000LD**



FLANGE MVG 2000LD

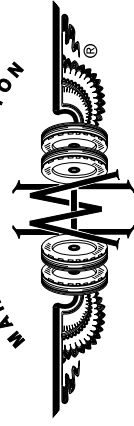
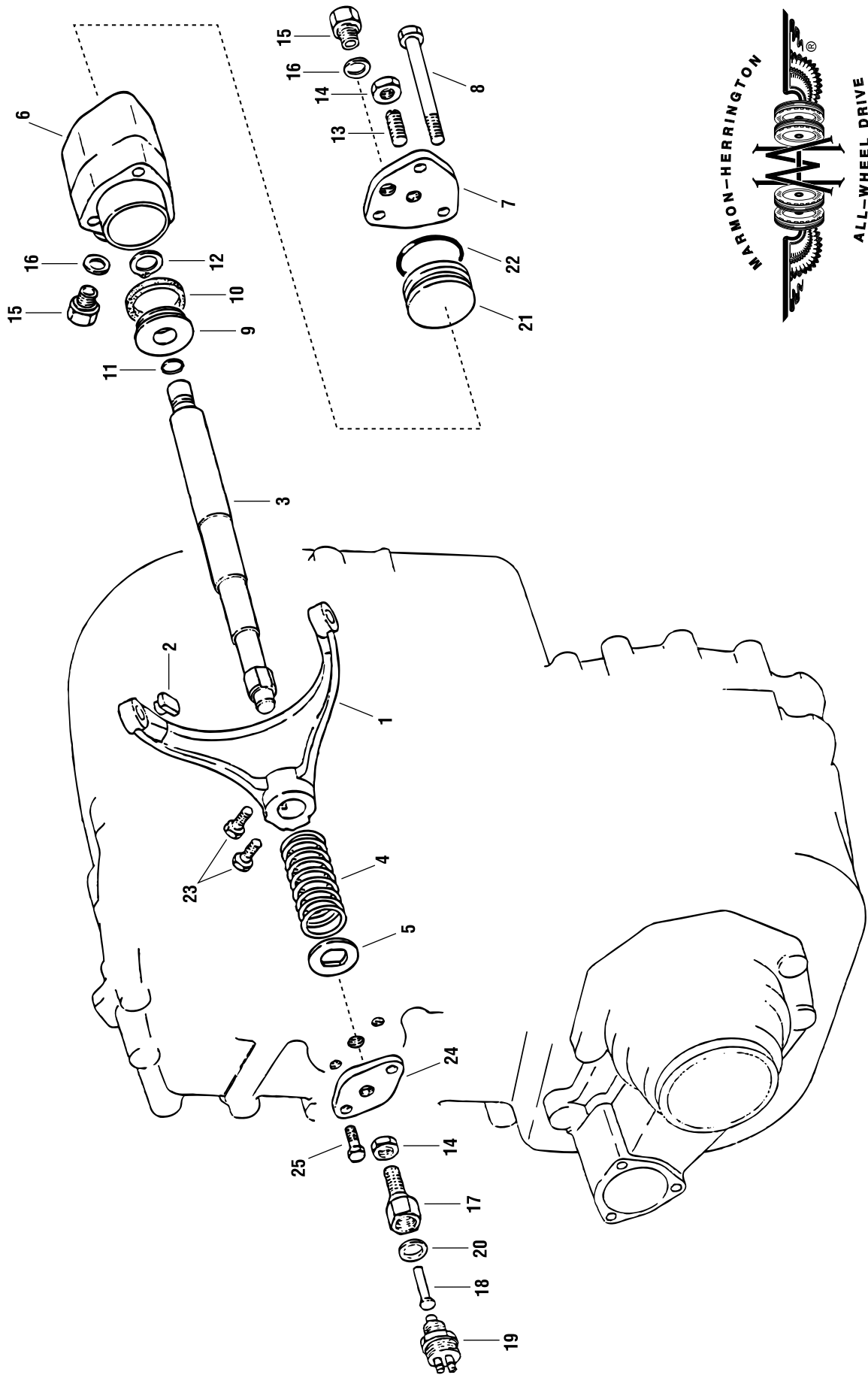


ITEM NO.	MH PART NO.	DESCRIPTION	QTY. REQ.	ITEM NO.	MH PART NO.	DESCRIPTION	QTY. REQ.
1	MVG16-1046	Flange	2				
2	MVG20-1043	Collar Nut	1				
3	MVG20-1061	Companion Flange 1710	1				
4	MVG12-1058	Collar Nut	1				



**FLANGE
MVG 2000LD**

HIGH, LOW GEAR SHIFTING MVG 2000LD



ALL-WHEEL DRIVE

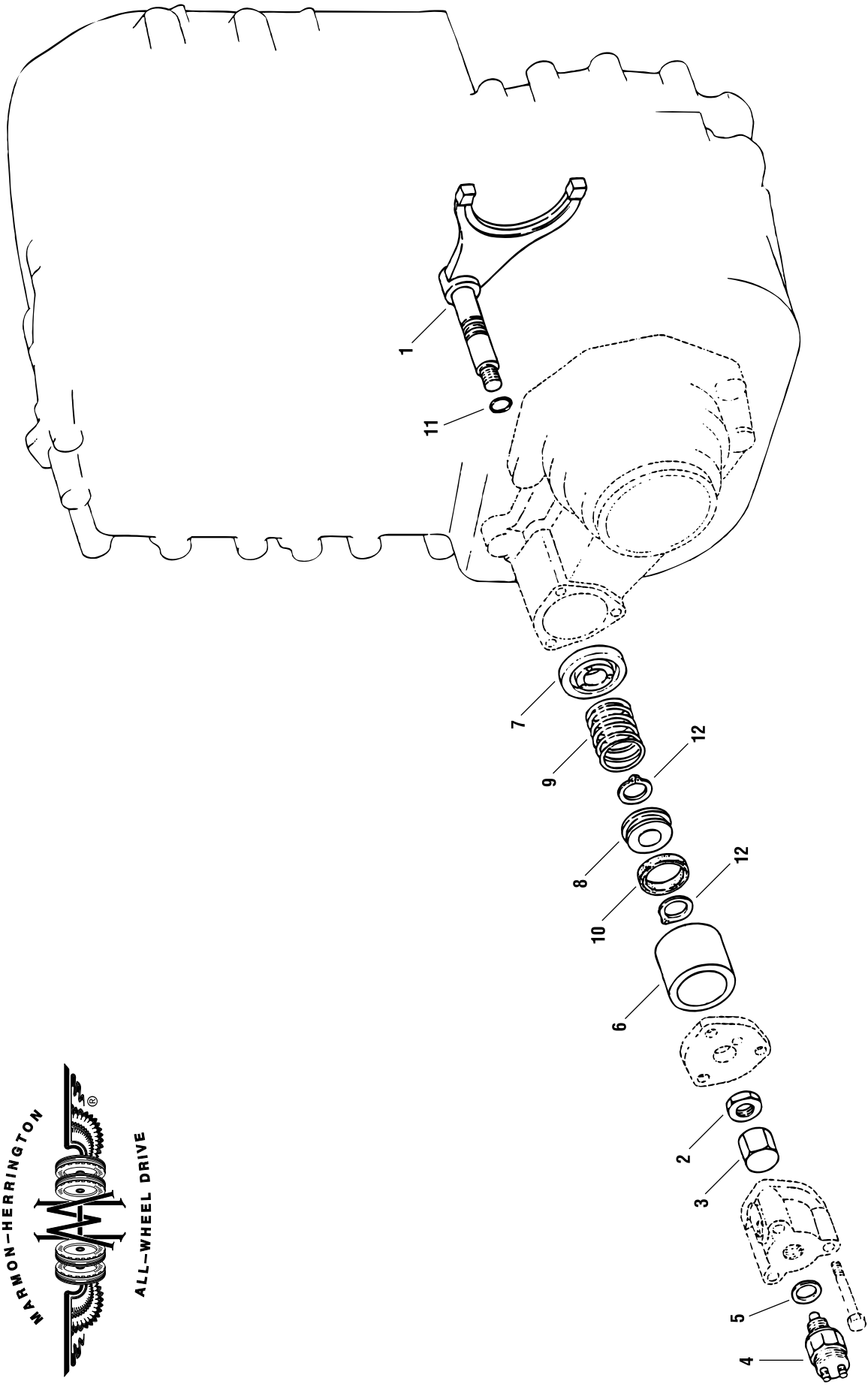
ITEM NO.	MH PART NO.	DESCRIPTION	QTY. REQ.	ITEM NO.	MH PART NO.	DESCRIPTION	QTY. REQ.
1	MVG20-1111	Shifting Fork	1				
2	MVG12-1095	Slider	2				
3	MVG20-1112	Shifting Rod	1				
4	MVG20-1084	Pressure Spring	1				
5	MVG20-1085	Washer	1				
6	MVG20-1086	Shifting Cylinder	1				
7	MVG20-1087	Cover	1				
8	11500901	Hex Head Screw, M12x100	3				
9	MVG12-1037	Piston	1				
10	MVG12-1038	Sealing Cup	1				
11	MVG12-1036	Sealing Ring	1				
12	MVG12-1001	Retaining Ring	1				
13	MVG12-1126	Threaded Pin	1				
14	11501073	Hex Nut, M12x1.5	2				
15	MVG12-1121	Air Fitting	2				
16	MVG12-1122	Sealing Ring	2				
17	MVG75-1091	Adjusting Screw	1				
18	MVG20-1091	Pin	1				
19	MVG75-1096	Pressure Switch	1				
20	MVG12-1040	Sealing Ring	1				
21	MVG16-1052	Piston	1				
22	MVG16-1053	Sealing Ring	1				
23	MVG75-1086	Screw	2				
24	MVG20-1113	Plate	1				
25	11500778	Hex Head Screw, M10x25	2				

MARMON-HERRINGTON ALL-WHEEL DRIVE
 13001 Magisterial Drive • Louisville, KY 40223
 (502) 253-0277 • (800) 227-0727 • Fax (502) 253-0317
 E-mail: info@marmon-herrington.com

**HIGH, LOW GEAR SHIFTING
 MVG 2000LD**



AXLE ENGAGE MVG 2000LD



ITEM NO.	MH PART NO.	DESCRIPTION	QTY. REQ.	ITEM NO.	MH PART NO.	DESCRIPTION	QTY. REQ.
1	MVG20-1093	Shifting Fork	1				
2	MVG20-1095	Hex Nut, M16x1.5	1				
3	MVG20-1096	Plain Nut	1				
4	MVG75-1127	Pressure Switch	1				
5	MVG12-1040	Sealing Ring	1				
6	MVG20-1110	Shift Cylinder Sleeve	1				
7	MVG12-1031	Washer	1				
8	MVG12-1037	Piston	1				
9	MVG12-1033	Pressure Spring	1				
10	MVG12-1038	Sealing Cup	1				
11	MVG12-1036	Sealing Ring	1				
12	MVG12-1001	Retaining Ring	2				

MARMON-HERRINGTON ALL-WHEEL DRIVE
 13001 Magisterial Drive • Louisville, KY 40223
 (502) 253-0277 • (800) 227-0727 • Fax (502) 253-0317
 E-mail: info@marmon-herrington.com

**AXLE ENGAGE
 MVG 2000LD**





13001 Magisterial Drive • Louisville, KY 40223
(502) 253-0277 • (800) 227-0727 • Fax (502) 253-0317
E-mail: info@marmon-herrington.com